

OTS-1100

Online Terminal System 6R6

Release Announcement

Software Version 6R6
August 2014

Formula Consultants Inc.
222 S. Harbor Blvd. Ste 650
Anaheim, CA 92805



CONFIDENTIAL AND PROPRIETARY PROPERTY
*Subject to certain restrictions and non-disclosure
requirements of Formula Consultants Incorporated.*

Copyright Notice

Copyright © 2014 by Formula Consultants Incorporated, P.O. Box 544, Anaheim, California 92815.

The computer software described in this document is confidential. The proprietary contents of the program may not be disclosed without the express written consent of Formula Consultants Incorporated.

No part of this material may be reproduced in any form without permission in writing from Formula Consultants Incorporated.

Formula Consultants Incorporated reserves the right to revise or modify the contents of this document. Contact Formula Consultants to verify that you have the most current revision of this document.

The Online Terminal Security system (OTS-1100) is marketed by Formula Consultants Incorporated for use on UNISYS Series 1100 Computers. OTS-1100 prevents unauthorized use of terminals, on-line programs, software functions, and access to data.

Direct your comments or requests to:



Formula Consultants Incorporated
P. O. Box 544
Anaheim, California 92815

714/778-0123
714/778-6364 (Fax)

Trademarks

UNISYS and MAPPER are trademarks of UNISYS Corporation.
Formula Consultants Incorporated is a California corporation.

Software Version: 6R6

Contents

General	1
Product Overview	1
Scope of this Release	2
New Features and Enhancements	2
CP OS2200 15.0 Daylight Savings Time (DSTA) Compatibility	2
OTS-1100 UniAccess Security Interface Feature	2
OTS-1100 WebTS Security Interface Feature	2
COMUS Build enhancements	3
Optional UCS Subschema definition	3
Complex Passwords	3
New Generation Diagnostic Information	4
Discontinued Features	4
Previous Level Support	4
Documentation	5
OTS-1100 Notes Of Interest	5
Restrictions And Limitations	5
Compatibility	5
Corrections	6
FCI Support Center	7
Ordering Instructions	7
General Releases	7
Product Order Form	1

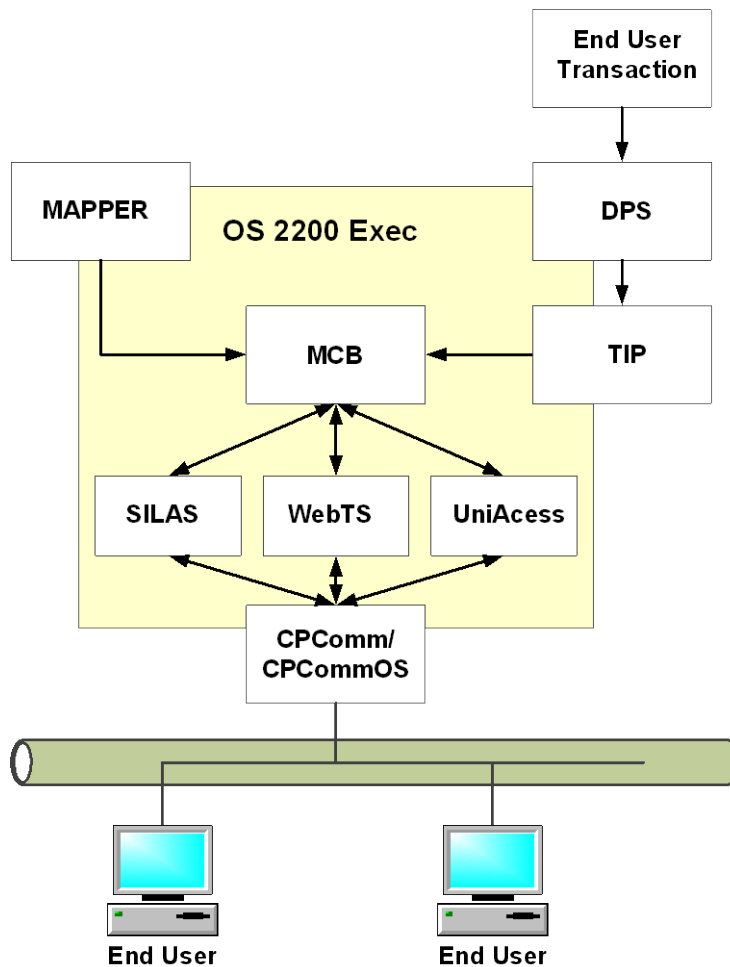
Page intentionally left blank to accommodate 2-sided printing.

General

Formula Consultants is pleased to announce Level 6R6 of our Online Terminal Security system. OTS-1100 is now available for general distribution. As a normal FCI policy, this release is available at no additional cost to all OTS-1100 users with current maintenance contracts. It is also provided free to users still within the initial Warranty Period. Level 6R6 replaces the current general release, Level 6R5.

All software release tapes will be available in a DVD download format, unless specifically requested otherwise.

Product Overview



Online Terminal Security System 1100 (OTS-1100), provides security for your OS 2200 applications.

It is designed to prevent unauthorized use of system resources, software, and data.

OTS-1100 can be configured to operate transparently to application programs. Your programs do not have to be rewritten for you to enjoy the advantages of some levels of security validation. This protects your company's investment in existing processing software. OTS affords other options for more stringent security.

OTS-1100 is fully compatible with Unisys' Transaction Interface Processing (TIP), and Display Processing System (DPS). OTS can be installed at sites using Communications Platform (CPCComm), Communications Platform for Open Systems (CPCCommOS), System Interface for Legacy Application Systems (SILAS), Message Control Bank (MCB), Web Transaction Server (WebTS) and UniAccess Transaction Server.

Scope of this Release

Level 6R6 of OTS-1100 is a minor feature release. Key features and enhancements of the release are described in subsequent sections of this document.

New Features and Enhancements

CP OS2200 15.0 Daylight Savings Time (DSTA) Compatibility

The OTS-1100 6R6 product has been enhanced to be compatible with the CP OS2200 release 15.0 and the Daylight Savings Time adapt.

**Note**

If you intend to use the OTS-1100 6R6 Product logging feature (AILOG>0), you must first install the TeamQuest SaUtilities product level 8R,1 before you generate and run OTS 6R6 in a CP OS2200 15.0 environment.

The OTS-1100 6R6 Product logging feature (AILOG>0) requires the TeamQuest SaUtilities product level 8R1 to be installed prior to generation and running in a CP OS2200 15.0 environment.

Two new Product Modification Elements (MCB9R1, TIPUTIL49) have been introduced for use in the 15.0 release. One Product Modification Element (TIPUTIL48) has been introduced for use in the 14.0 release.

OTS-1100 UniAccess Security Interface Feature

The OTS-1100 UniAccess Security Interface Feature is now integrated into the OTS-1100 product with keyed enablement for customers who license this feature. The OTS-1100 UniAccess Security Interface feature provides an integrated security feature that works with the UniAccess Transaction Server.

OTS-1100 WebTS Security Interface Feature

The OTS-1100 WebTS Security Interface Feature is now integrated into the OTS-1100 product with keyed enablement for customers who license this feature. The OTS-1100 WebTS Security feature provides an integrated security capability that operates with the Unisys Web Transaction Server and DPS Java Interface. When the WebTS security interface is deployed, OTS-1100 creates Java screens for the OTS-1100 transactions and provides security for transactions executed through a browser to the WebTS Transaction server.

COMUS Build enhancements

The OTS-1100 COMUS Build has two enhancements to improve the generation of OTS-1100.

1. **The assisted rebuilding of the DPSRO file.** The DPSRO file is needed for the building of the OTS-1100 product, specifically the SIGNON transaction. With OTS 6R6, the COMUS Build queries whether the DPSRO file should be recreated from your DPS Master tape for that application group.
2. **The MCB library file specification.** The COMUS Build now prompts for the MCB library which should be searched and used for the OTS-1100 program collections and links.

Optional UCS Subschema definition

The OTS-1100 product has been enhanced to optionally create a UCS Subschema definition. The OTS-1100 generation parameter DMSUSNAM determines the name of the UCS subschema and whether the UCS subschema is built. The default value for DMSUSNAM is spaces, which will not generate a UCS Subschema.

Complex Passwords

The OTS-1100 product has been enhanced to optionally require complex passwords. The OTS-1100 generation parameter CMPLXPSWD will determine the complexity of user passwords that are required. The default value for CMPLXPSWD is 0.

Parameter Value	Requirement for Passwords
0	Passwords are not required to be complex.
1	Requires a combination of Alpha and Numeric characters.
2	Requires a combination of any 2 types of characters: Alpha, Numeric, Special Characters.
3	Requires a Combination of Alpha, Numeric, Special Characters.
4	Requires a Combination of Upper & Lower case, Alpha, Numeric and Special Characters.

New Generation Diagnostic Information

To provide diagnostic information, OTS-1100 has been enhanced to install generation information into the secondary installation file (SYSS\$LIB\$*OTS-2). The information includes:

Information	Corresponding Element
COMUS information	OTSGENINFO
generation runstream	GENRUN
last product DEFSET element 2	DEFSET
all integrated corrections 3	MGDRSDC

Discontinued Features

The following older Product Modification Elements (PMEs) have been discontinued and removed from the OTS 6R6 release. They applied to Unisys software products/levels which are currently unsupported.

DPS1R2	MCB3R2	TIPUTIL39
DPS2R2	MCB4R1	TIPUTIL40
DPS3R1	MCB5R1	TIPUTIL41
DPS4R1	MCB6R1	TIPUTIL43
MCB3R1	MCB7R1	TIPUTIL44
		TIPUTIL45

Previous Level Support

OTS-1100 Level 6R5 will be supported until October 1st, 2014.

Documentation

Documents provided with OTS-1100 6R6 include:

OTS-1100 System Support Manual, FP-123 R8

OTS-1100 Security Administrator's Guide, FP-119 R8

OTS-1100 Programmer's Reference Guide, FP-124 R8

OTS-1100 User's Guide, FP-122 R8

OTS-1100 Notes Of Interest

All corrections identified in previous Notes of Interest are included in this release.

Restrictions And Limitations

The Type 2 SGS parameter, DBANK must be set to 0140000 or greater.

The Type 2 SGS parameter, DBANK may not be greater than 0154000.

The non-flagging version of the ACOB compiler is required to generate this product.

The CB_PROTECT feature of OS-1100 is not supported by this release of OTS-1100.

Compatibility

OTS-1100 6R6 is a minor feature release and is compatible with 6R5.

The OTS-1100 generation requires four consecutive screen numbers if DPSLEV is greater than 2.

The OTS-1100 6R6 generation print file (RELPRNT) is now saved, in COPY,G format, in file 10.

The OTS-1100 SOLAR and COMUS mode 'A' install routines have been updated to install the Product Modification File (PMF, file 7) into the SY\$LIB\$*OTS-2 file name, where 'SY\$LIB\$*OTS' is the name specified with the OTSABSFILE generation parameter. The mode 'B' install mode for both routines will still install the PMF in the OTS*OTSPMF filename, where OTS* is the project specified with the CANPRJ generation parameter.

The 'AI' (application interface) relocatable element is fully compatible with all prior levels of OTS-1100, without requiring any re-mapping of transactions, as long as the 'AI' relocatable is kept in its released and supported format. Re-mapping of the 'AI' relocatable into a common bank is considered to be 'Local Code.' This practice has never been supported or recommended by FCI.

Corrections

Corrections integrated with this release of OTS-1100 are contained in the COMUS change file, which is file 11 of the release tape.

File 15 of your release tape contains PCRs, if any, which have been generated against this release, as of the date your tape was created. Include any of these corrections applicable to your site with the first build from this tape. The PCRs are organized by OTS-1100 processor type (basic mode or UCS) in elements which can be @ADDED following an @COMUS to enter the corrections into your local COMUS database. You should examine the file to determine which elements need to be added to your build.

The elements README, CHGNUM-ALL, and OTS-NOIS are informational only and should not be @ADDED to your COMUS database.

The possible elements in File 15 are:

README	explanation and cutoff date/time,
ADD/SGS	changes for the 'additional SGS' build prompt,
BASE/version	changes not associated with a subsystem, where version can be: BASIC or UCS,
CHGNUM-ALL	list of all change numbers, and
OTS-NOIS	all relevant Notes of Interest

The CHG numbers generated by COMUS must be entered at the 'New Change number' build prompt. These numbers can be entered individually or you can @ADD the CHGNUM elements that apply to your build.

If you add UCS corrections, the UCOB and/or UC compilers must be installed. Another method of including UCS corrections is to copy updated object modules contained in this file. This is done by answering the build prompt, 'Any replacement Object Modules to be included', and specifying the filename into which the modules were copied.

Beginning with OTS-1100 level 6R6, file 15 of your release tape also contains Notes of Interest in the element called OTS-NOIS. Notes of Interest are field bulletins which we recommend reading prior to generating or installing OTS.

FCI Support Center

Effective with the release of OTS-1100 6R6, the FCI Support Center is available for use. The FCISC is a 2200 host server software system accessible via the standard UNISYS Remote Site Support(RSS) product. It allows you to send and receive data electronically to and from FCI. Refer to the OTS-1100 Installation Guide for more information.

Ordering Instructions

To obtain a copy of OTS-1100 level 6R6, please download it from the Formula Consultants support website at:

www.formula.com/support/logon.asp

or Order OTS-1100 6R6 electronically by addressing your e-mail to:

OTS@formula.com

or To order your site's copy of OTS-1100 Level 6R6 on DVD, please complete the attached Product Order Form and fax it to 714-778-6364, or mail your order to:

Formula Consultants Incorporated

P.O. Box 544

Anaheim, CA 92815

Attn: Product Sales

General Releases

MEDIA: An OTS-1100 level 6R6 DVD is available for download on the FCI support web site.

Product Order Form

PRODUCT: OTS-1100 Level 6R6

CUSTOMER: _____

DELIVERY ADDRESS: _____

CITY, STATE: _____

ZIP CODE: _____

CONTACT: _____

TELEPHONE NUMBER: _____

LAST OTS-1100 LEVEL RECEIVED: _____